

500 Wooden balance with two seats (complete with tires)



Certified according to European Standard EN 1176 from the German institute TÜV - Product Service. Entirely realized with northern lamellar pine wood poles. Oscillating beam oval section cm 10 x 14, provided of two seats with handles in round pipe of galvanized steel and oven painting to 180°C. Central easel in hot-dip galvanized steel with oscillation system through strong core mechanism and pads in teflon assembled to two vertical poles of the same nature of the beam. Assembling with galvanized steel bolts 8.8 and self-locking nuts. Covernuts elements in accordance with the law made by colored nylon.

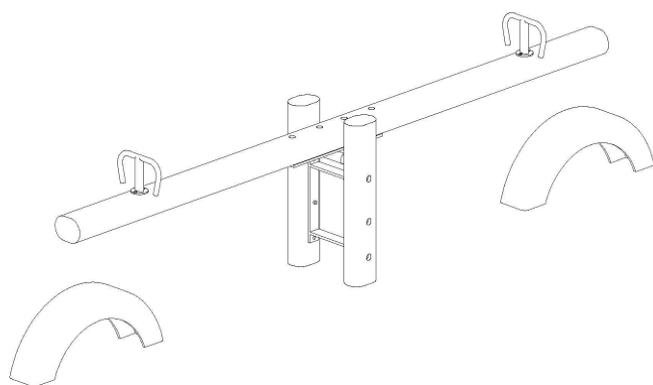
Age of use: 3-8

Critical fall height: cm 80

Envelope max: cm 300x42x65 h.

⊗ **Minimum space required:** cm 342x600

● **Wreck area:** mq 15,,00



◆ Pianta

