

## 200A Swing aluminium (traditional and/or baby seats)

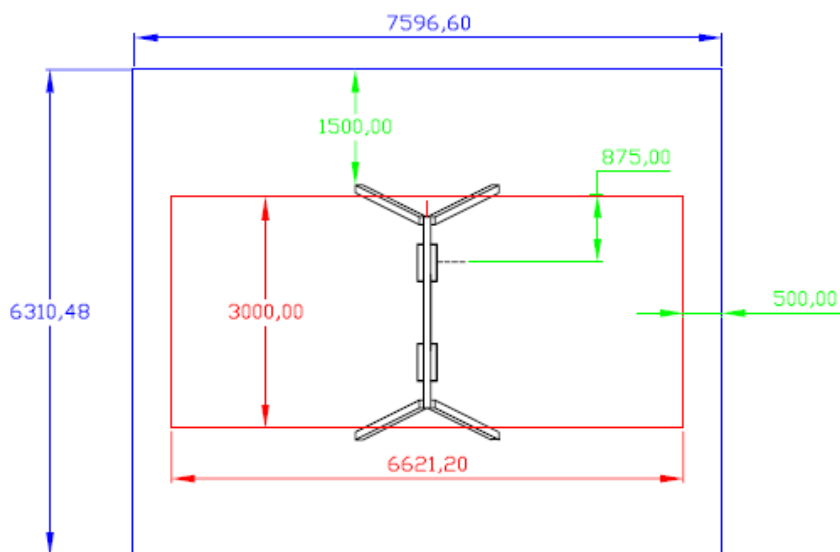


### PRODUCT DESCRIPTION:

Certified according to European Standard EN 1176.

Double swing made by aluminium post 90x90 mm realized manufactured from extruded aluminum, 3 mm thick with rounded corners, with safety protection in polyethylene PE-HD dyed, high density fully recyclable alloy posts.

Complete of n.2 crash absorb rubber seats with inner structure, hold to coating chains and with polyethylene PE-HD lateral decoration panels by weight 19 mm, with more thematic working and engraving pantograph drawing.



MATERIAL	ALUMINIUM
DIMENSIONS	337x208xH240 CM
DECKS HEIGHT	0 CM
CRITICAL FALL HEIGHT	125 CM
MINIMUM SPACE REQUIRED	760X631 CM
SAFETY FLOOR REQUIRED	20 MQ