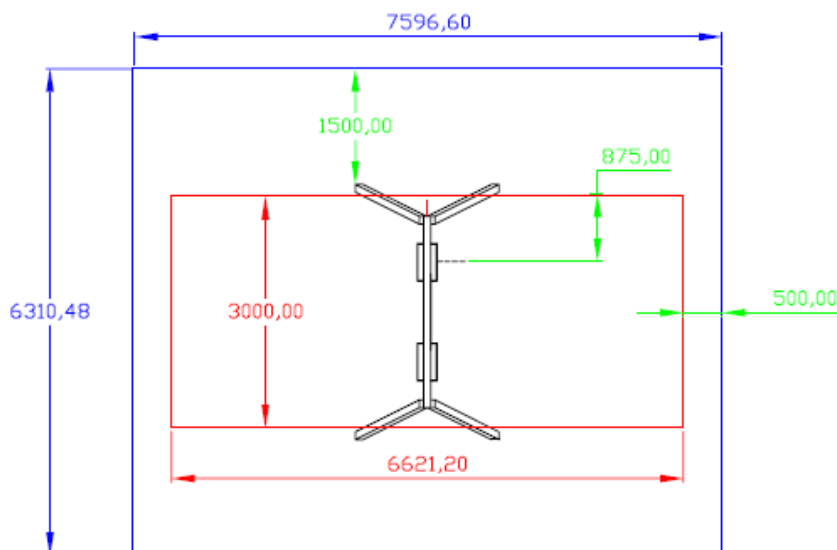


## 200L Wooden double swing (traditional and/or baby sits)



Certified according to European Standard EN 1176. Nordic pine lamellar wooden structure impregnated in autoclave with non-toxic salts and hand finishes. Constructed from 4 poles cm. 9x9 with rounded corners. The upper beam is made by coupling two 9x9 cm section poles with rounded corners. N° 2 anti-shock rubber floor seats with internal core in aluminium profiled and welded narrowed and zinc-coated chains or cage seats or one of a kind and one of the other. Assembling with galvanized steel bolts 8.8 and self-locking nuts. Covernuts elements in accordance with the law made by colored nylon. Collision top beam decorative panels made by colorful polyethylene.



MATERIAL	ALUMINIUM TIMBER
DIMENSIONS	337x208xH240 CM
DECKS HEIGHT	0 CM
CRITICAL FALL HEIGHT	125 CM
MINIMUM SPACE REQUIRED	760X631 CM
SAFETY FLOOR REQUIRED	20 MQ