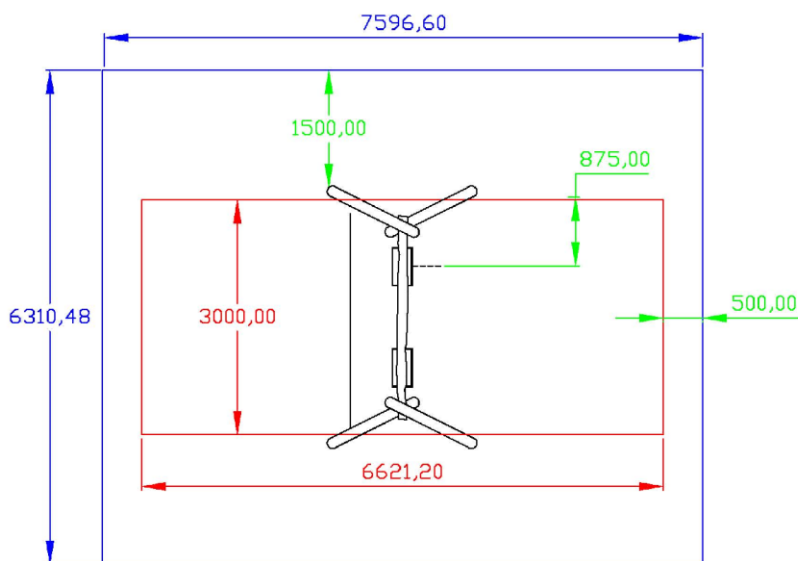


201 Double robinia swing



Realized in accordance with European standards EN1176. Robinia wooden structure. N° 2 anti-shock rubber floor seats with internal core in aluminium profiled and welded narrowed and zinc-coated chains or cage seats or one of a kind and one of the other. Assembling with galvanized steel bolts 8.8 and self-locking nuts. Covernuts elements in accordance with the law made by colored nylon.



MATERIAL	ROBINIA
DIMENSIONS	337x208xH240 CM
DECKS HEIGHT	0 CM
CRITICAL FALL HEIGHT	125 CM
MINIMUM SPACE REQUIRED	760X631 CM
SAFETY FLOOR REQUIRED	20 MQ