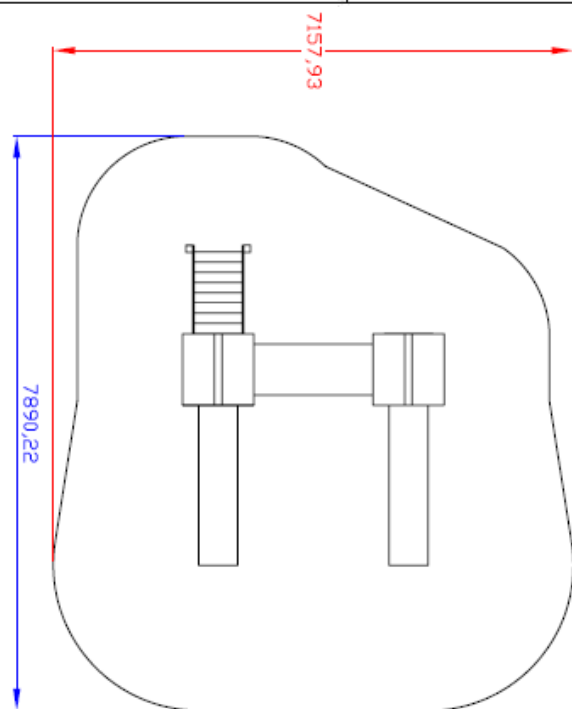


7021 – Tower Bridge (aluminium or wood)



MATERIALS	ALUMINIUM TIMBER
DIMENSIONS	360X440XH339 CM
DECKS HEIGHT	140 CM
CRITICAL FALL HEIGHT	140 CM
MINIMUM SPACE REQUIRED	789 x 716 CM
SAFETY FLOOR REQUIRED	46 MQ



Certified according to European Standard EN 1176.

Component list:

- N.10 structural poles:

ALUMINIUM in league of aluminium with a cross section of 90x90 mm and 3 mm thick, rounded on each side to avoid dangerous edges and provided of COVER-POLE of superior shape closing squared with rounded corners.

WOOD - in northern pine of first choice structural poles with fine and compact grain, seasoned for 12 months with 8 weeks rest following pressure treatment, of section 90x90 mm with rounded corners and rounded edges with a 4 leaf clover profile, fitted with a colored polyethylene cap.

- N. 1 deck:

ALUMINIUM - composed by a plate from steel ashlar-work footboard 3 mm thick zincified; the four sides are extracted from the folding of the plate itself forming a 7cm border under the two footboards and 4 cm under the bridge of connection; the grained allows a perfect anti-slip effect. Internal dimensions: 3500x700 mm.

External dimensions: 3500x880 mm.

WOOD : deck realized with northern pine boards.

Internal dimensions: 3500x700 mm.

External dimensions: 3500x880 mm.

- N.1 bridge of connection with polyethylene handrail 19mm thick and lateral rounded board of plugging in colored polyethylene 15mm thick.

- N.1 stair:

ALUMINIUM - manufactured with 19 mm thick polyethylene sides and elements of climb (steps) made in steel ashlar-work and painted for outsides.

WOOD - manufactured with 19 mm thick polyethylene sides and elements of climb (steps) made of northern pine impregnated in autoclave. The tread is a generous 14cm deep offering stable, secure support to children. Handrail in polyethylene 19 mm thick and lateral boards of plugging rounded in colored polyethylene 15 mm thick.

- N.2 polyethylene roofs 10 mm thick, fixed with a special zinced steel connector. Dimensions: 980x980xH3700 mm.

- N. 3 two-tone polyethylene panels 19mm thick moulded with decorative and available incisions in the following colors: yellow, blue, red UV stable.

Dimensions: L=700x815 .

- N. 2 slides manufactured from rotationally moulded high density polyethylene in various UV stable colors and with a polyethylene entrance panel.

Dimensions: 3595x4398xH3390 mm.

Minimum space required: 7890x7158 mm.