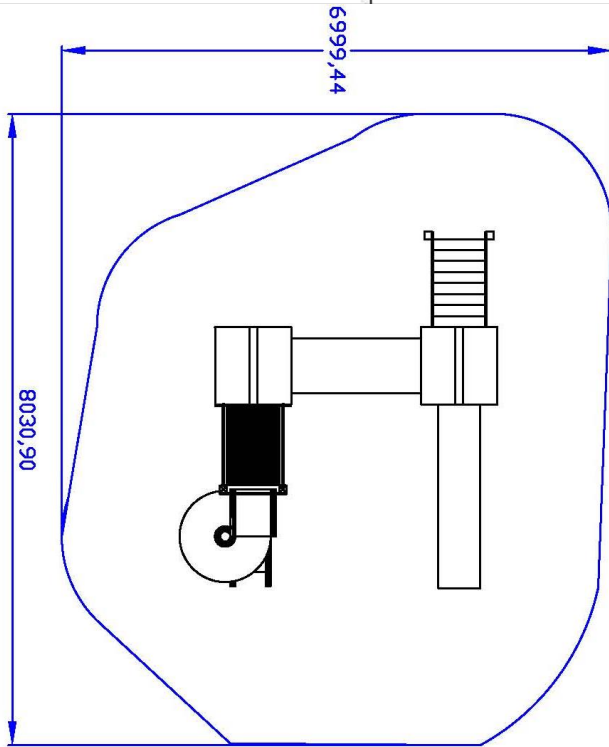


## 7022A – Fantacastle (aluminium)



MATERIAL	ALUMINIUM
DIMENSIONS	400X454XH339 CM
DECKS HEIGHT	140 CM
CRITICAL FALL HEIGHT	140 CM
MINIMUM SPACE REQUIRED	803 x 700 CM
SAFETY FLOOR REQUIRED	50 MQ



Realized according to European Standard EN1176.

Component list:

- N.10 aluminium structural poles - in league of aluminium with a cross section of 90x90 mm and 3 mm thick, rounded on each side to avoid dangerous edges and provided of COVER-POLE of superior shape closing squared with rounded corners.
- N. 1 deck composed by a plate from steel ashlar-work footboard 3 mm thick zincified; the four sides are extracted from the folding of the plate itself forming a 7cm border under the two footboards and 4 cm under the bridge of connection; the grained allows a perfect anti-slip effect. Internal dimensions: 3500x700 mm. External dimensions: 3500x880 mm.
- N. 1 raised footboard for the connection with the helicoidal slide.
- N.1 bridge of connection with polyethylene handrail 19mm thick and lateral rounded board of plugging in colored polyethylene 15mm thick.
- N.1 stair manufactured with 19mm thick polyethylene sides and elements of climb (steps) in steel BUGNATA and zincated plate. The tread is a generous 14cm deep offering stable, secure support to children. Handrail in polyethylene 19 mm thick and lateral boards of plugging rounded in colored polyethylene 15 mm thick.
- N.2 polyethylene roofs 10 mm thick, fixed with a special zincated steel connector. Dimensions: 980x980xH3700 mm.
- N. 5 two-tone polyethylene panels 19mm thick moulded with decorative and available incisions in the following colors: yellow, blue, red UV stable. Dimensions: L=700x815
- N.1 single simple slide and an helicoidal one complete of footboard to jerk manufactured from rotationally moulded high density polyethylene UV stable and with a polyethylene entrance panel.

**Dimensions: 3595x4536xH3390 mm.**

**Minimum space required: 8032x6808 mm**